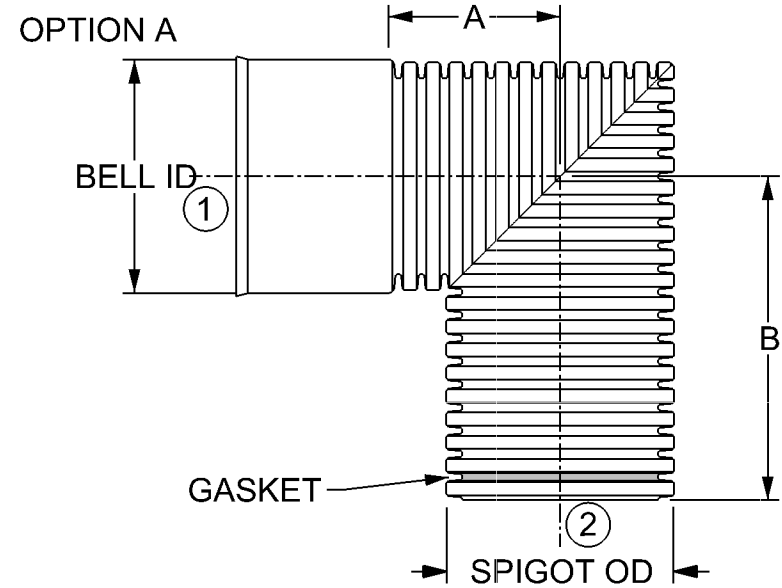
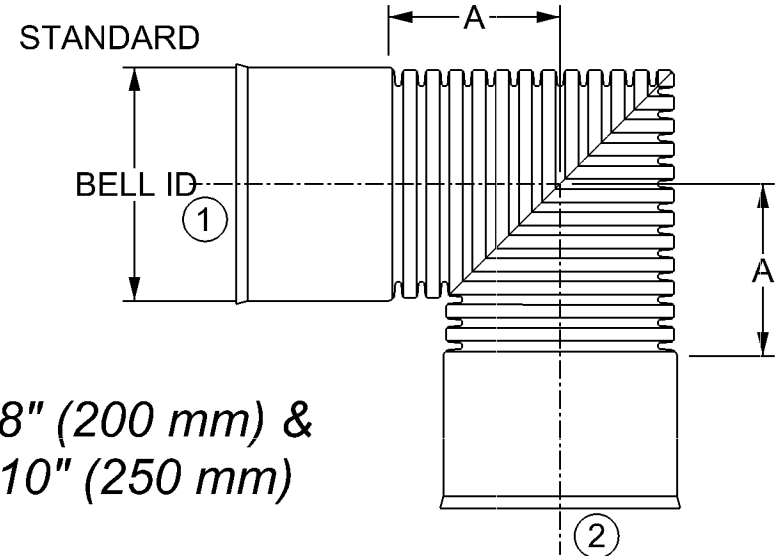


Size	A	B	Bell I.D.	Spigot O.D.
	Inch	Inch		
4"	6 1/8	5 7/8	4 3/4	4 3/4
6"	8	7 1/4	7	7
8"	7 1/8	13 5/8	9 3/4	9 1/2
10"	9 1/8	16	12	11 3/4



Note: Bell End fittings can be ordered with any configuration of in-line bells, spigots or plain ends. All bell end fittings are special order. Please specify configuration by outlet number if other than standard or Option A. Bell end fitting gaskets must be ordered separately.

Dimensions shown are for reference only.

Baughman Tile Co.
 BTC Pioneers in the Drainage Industry

TITLE 4-10" Dual Wall 90° Elbow - Bell End
 External

DRAWN BY JS DATE 5-19-14