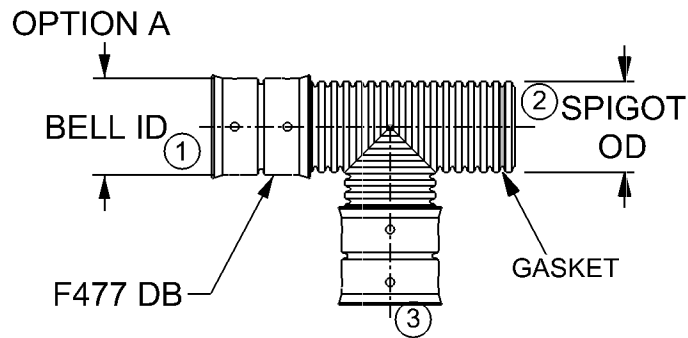
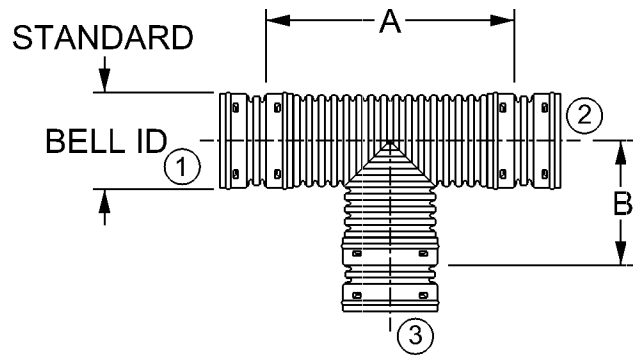
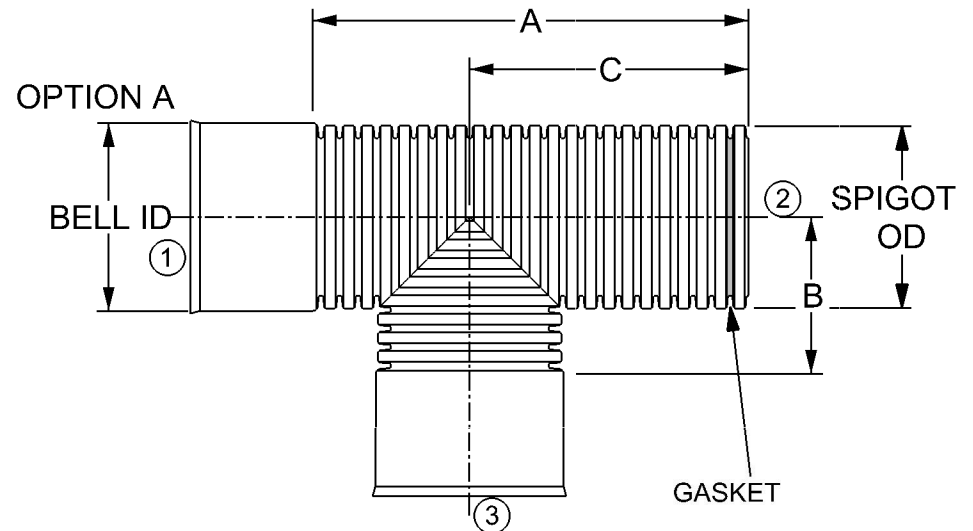
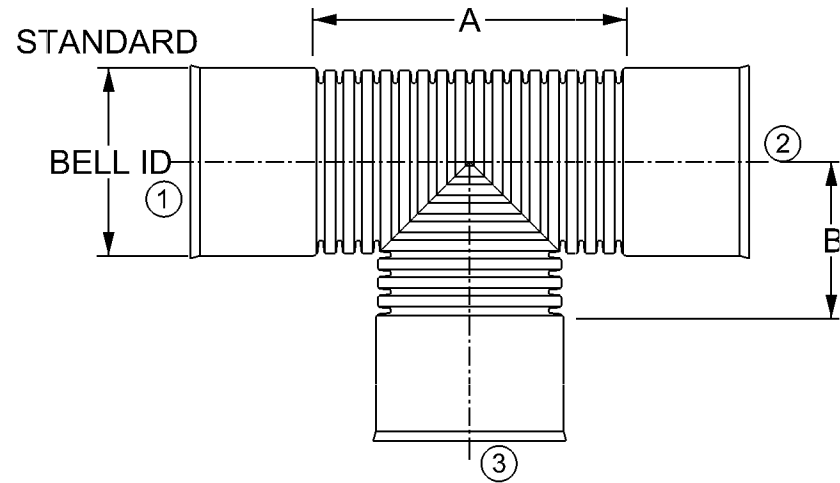


4" (100 mm) & 6" (150 mm)



Size	A	B	C	Bell I.D.	Spigot O.D.
	Inch	Inch	Inch		
4"	11 3/4	5 7/8	-	4 3/4	4 3/4
6"	16 1/8	8	-	7	7
8" Std	14 1/4	7 1/8	-	9 3/4	9 1/2
8" Opt A	19 3/4	7 1/8	12 5/8	9 3/4	9 1/2
10" Std	18 1/4	9 1/8	-	12	11 3/4
10" Opt A	23 5/8	9 1/8	14 1/2	12	11 3/4

8" (200 mm) & 10" (250 mm)



Note: Bell End fittings can be ordered with any configuration of in-line bells, spigots or plain ends. All bell end fittings are special order. Please specify configuration by outlet number if other than standard or Option A. Bell end fitting gaskets must be ordered separately. Dimensions shown are for reference only.



TITLE 4-10" Dual Wall Tee - Bell End

External

DRAWN BY JS

DATE 6-26-14