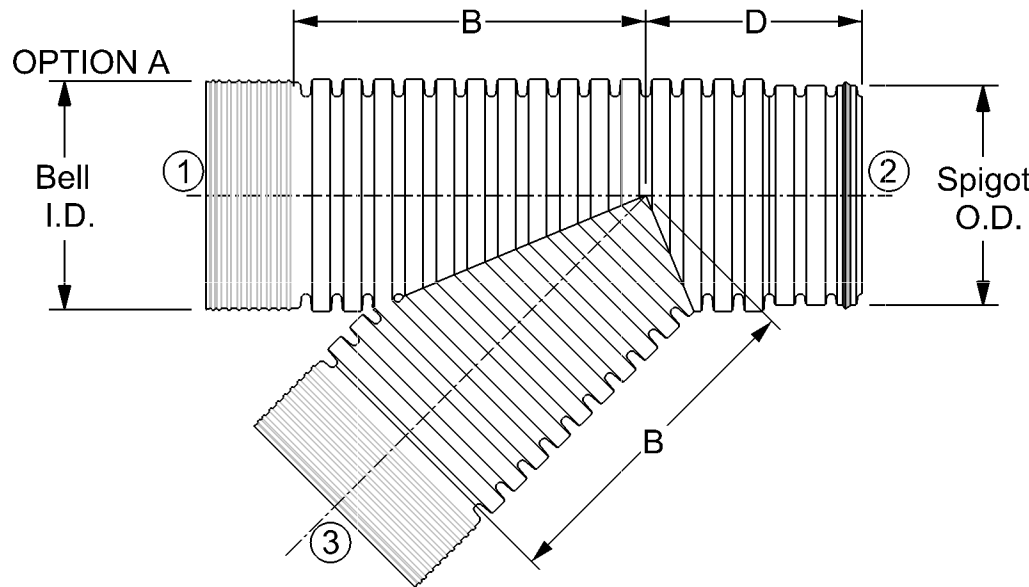


Size	A	B	C	D	Bell I.D.	Spigot O.D.
	Inch	Inch	Inch	Inch		
12"	30 1/4	21 7/8	8 3/8	13 1/2	14	13 3/4
15"	39 5/8	30	9 5/8	14 3/8	17 7/8	17 1/2
18"	45 3/4	33 1/8	12 3/4	14 1/2	20 3/4	20 3/8
24"	54	41 1/2	12 1/2	17 1/2	27 7/8	27 1/2
30"	68	51 1/2	16 1/2	23 1/4	35 3/8	35
36"	76 1/8	59 1/2	16 5/8	23 3/8	41 1/8	40 3/4
42"	90 1/8	68 1/4	21 7/8	31	47 1/4	46 5/8
48"	100 1/2	78 5/8	21 7/8	31	53 3/4	52 3/4



Note: Bell End fittings can be ordered with any configuration of in-line bells, spigots or plain ends. All bell end fittings are special order. Please specify configuration by outlet number if other than standard or Option A.

Dimensions shown are for reference only.



TITLE 12-48" Dual Wall Wye - Inline Bell End External

DRAWN BY JS

DATE 6-26-14