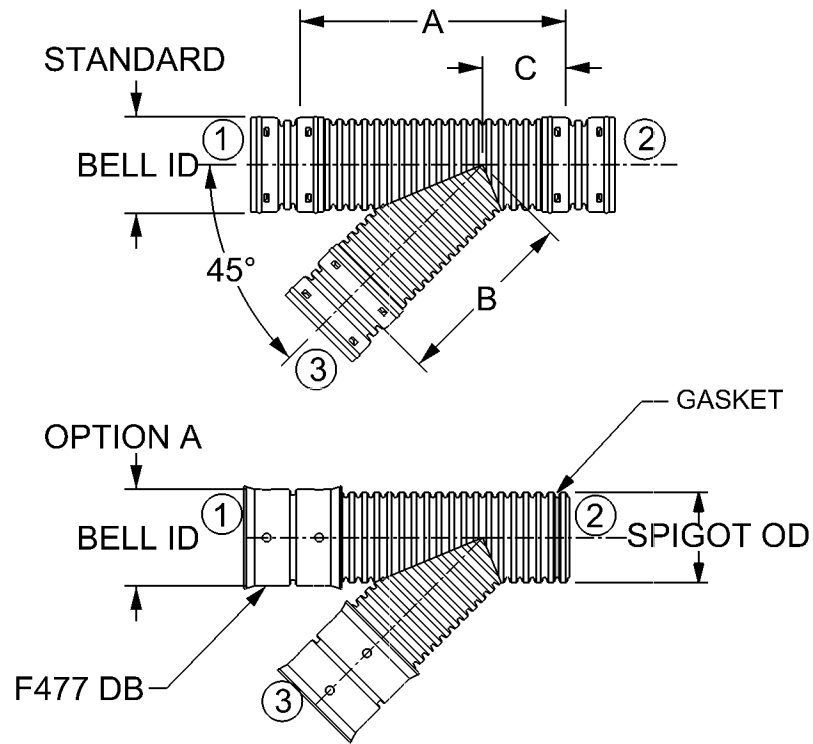
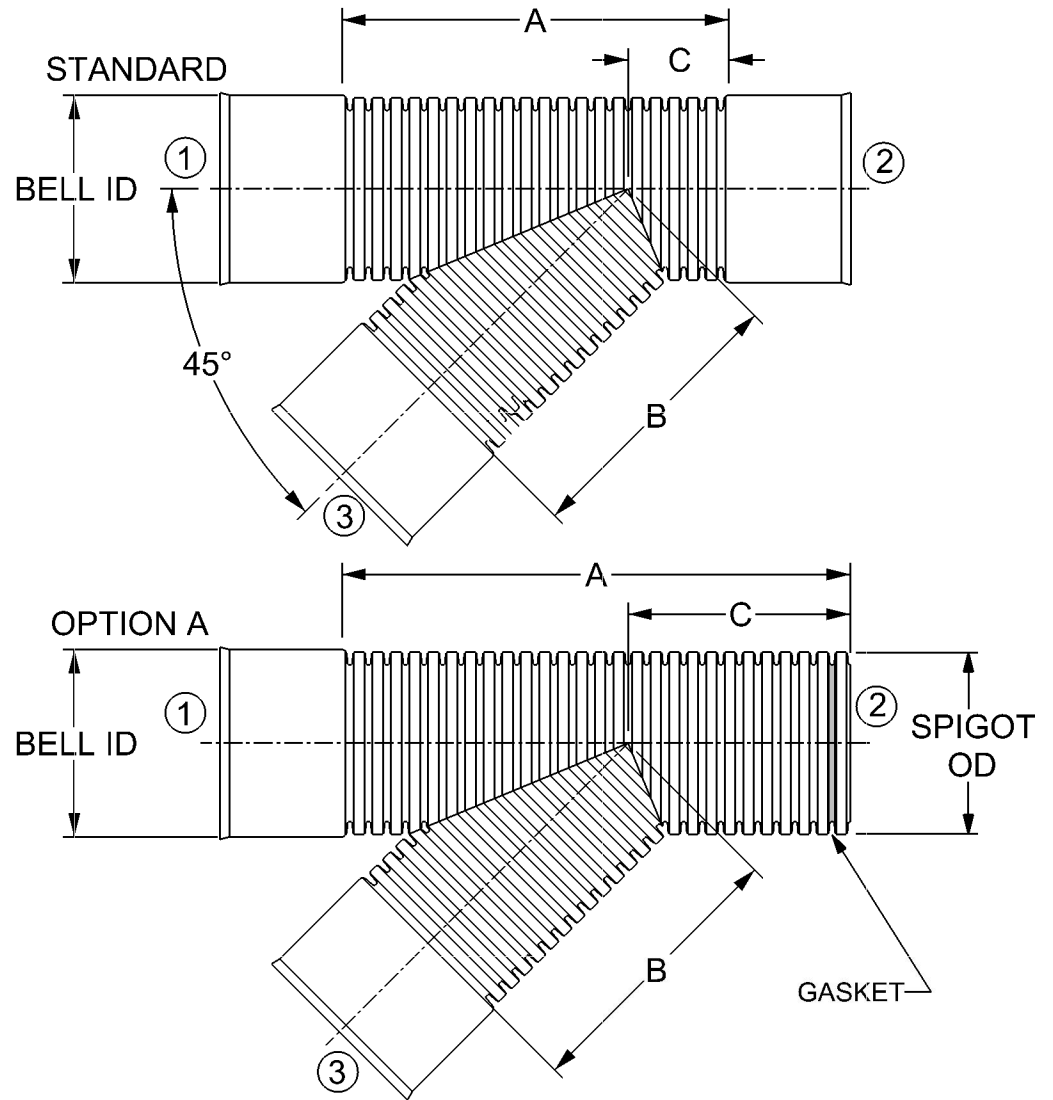


4" (100 mm) & 6" (150 mm)



8" (200 mm) & 10" (250 mm)



Note: Bell End fittings can be ordered with any configuration of in-line bells, spigots or plain ends. All bell end fittings are special order. Please specify configuration by outlet number if other than standard or Option A. Bell end fitting gaskets must be ordered separately. Dimensions shown are for reference only.



TITLE 4-10" Dual Wall Wye - Bell End External

DRAWN BY JS

DATE 4-7-14